

# PYTHON HC INSTALLATION GUIDE



HC 350mm



HC 240mm



## INSTALLATION APPLICATIONS:

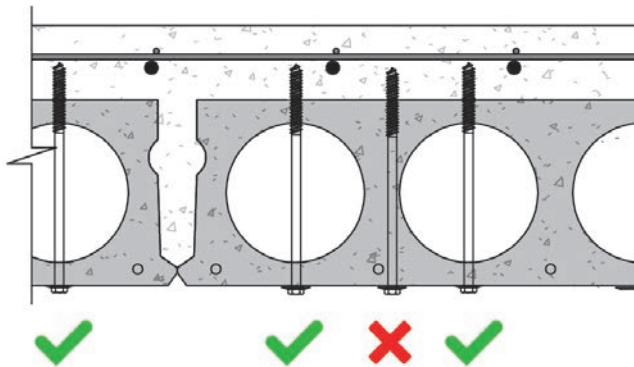
### HOLLOWCORE/DYCORE

- STEEL STRONG-BACKS
- PFC OR FLAT PLATE STRUCTURAL ATTACHMENTS
- SUPPLEMENTARY SHEAR REINFORCING
- SEISMIC RESTRAINT OF SERVICES

## TOOLS AND ACCESSORIES REQUIRED:

- SDS Plus Drill
- Impact wrench with torque rating of 1000Nm
- 10mm SDS Plus Drill Bit
- 14mm Socket Drive

Note: this is not an exhaustive list of applications, if you're unsure about an application, please contact us at [info@pythonfixings.co.nz](mailto:info@pythonfixings.co.nz) or 0800 PYTHON.



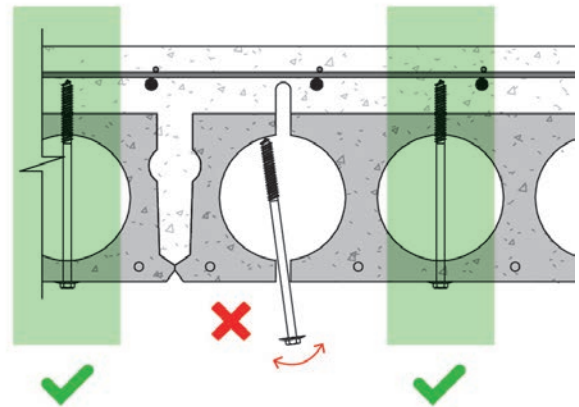
**01** Mark the installation location. Ensure the location is through a core in the unit.



**02** Drill a 10mm pilot hole vertically through the underside of the hollowcore unit 10mm deeper than the intended screw embedment depth. Use a drill stopper to prevent over drilling.



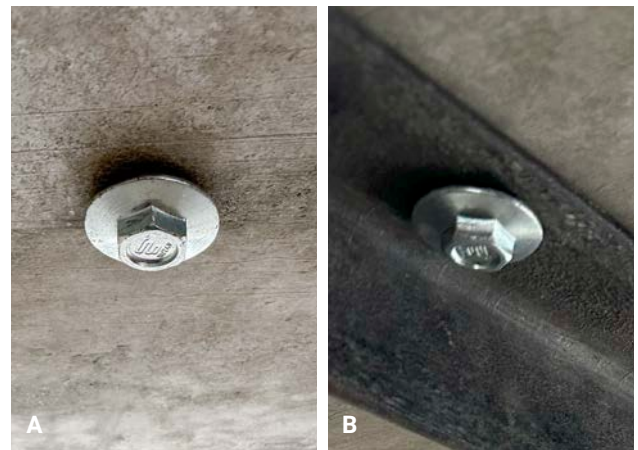
**03** Install the PYTHON HC Fixing through the underside of the hollowcore unit with a impact wrench with torque rating of 1000Nm and 14mm socket drive.



**04** Ensure the PYTHON HC is lined up with the pilot hole above the core of the unit. The installer will be able to feel when the screw is in the correct position



**05** Finish installing the PYTHON HC with a impact wrench with torque rating of 1000Nm and 14mm socket drive.



**06** **A** / PYTHON HC installed as supplementary shear reinforcement  
**B** / PYTHON HC connecting a structural steel member to hollowcore